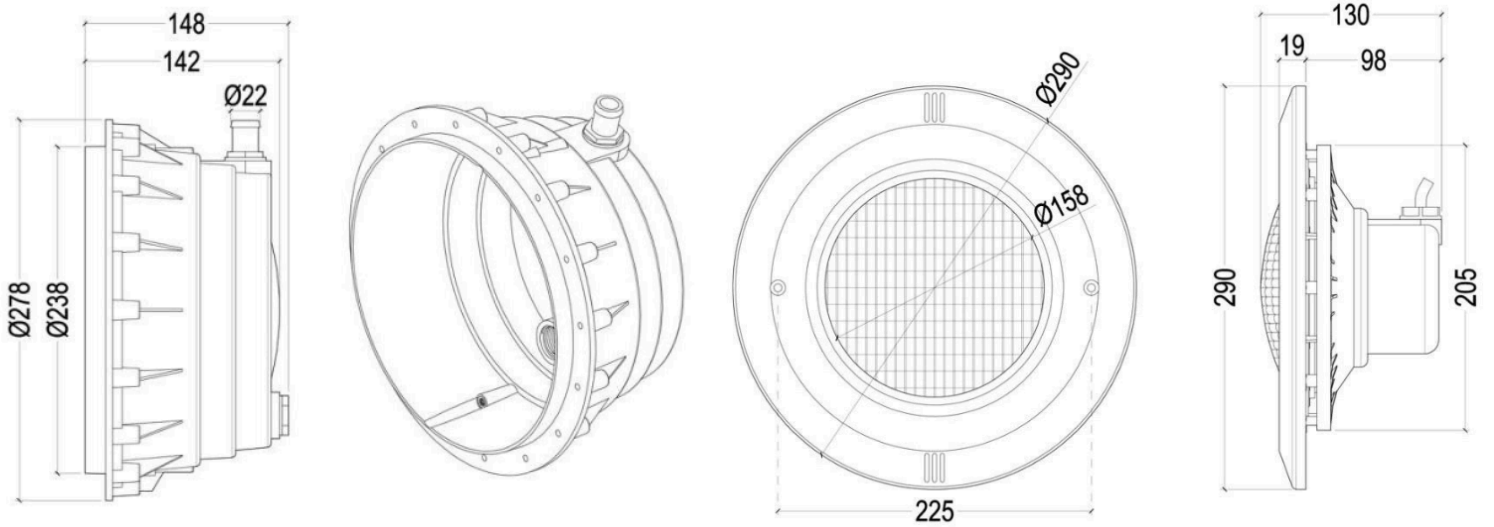


Niche Type Light

PO-RC-UW-ABS

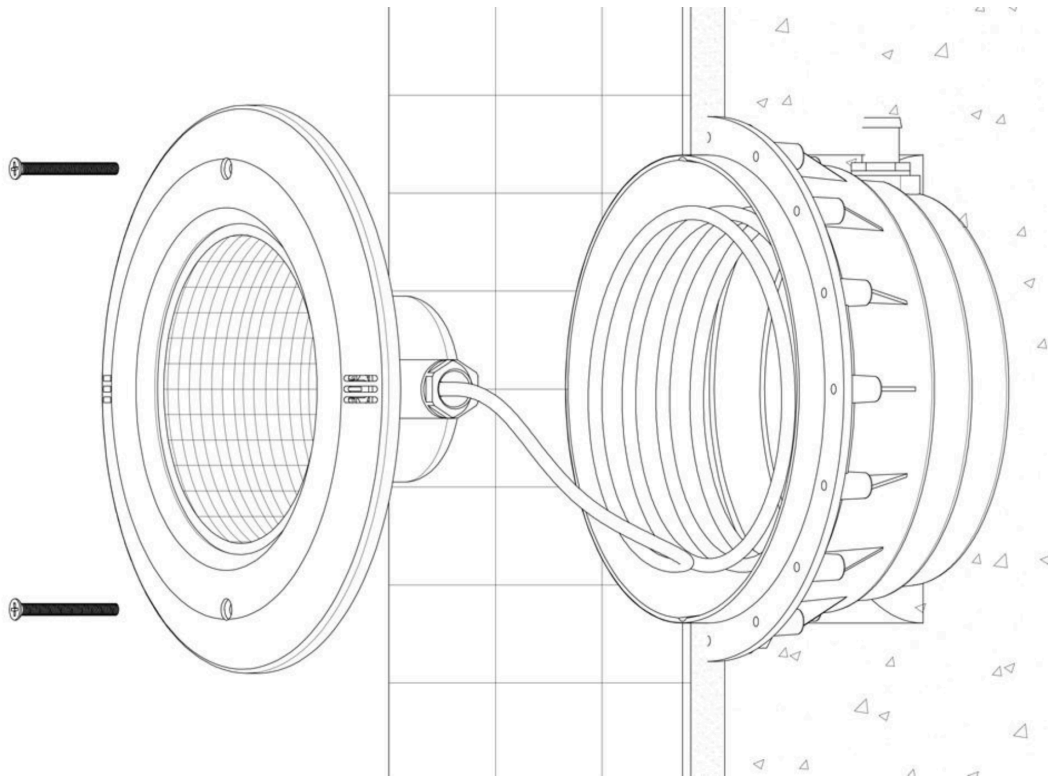
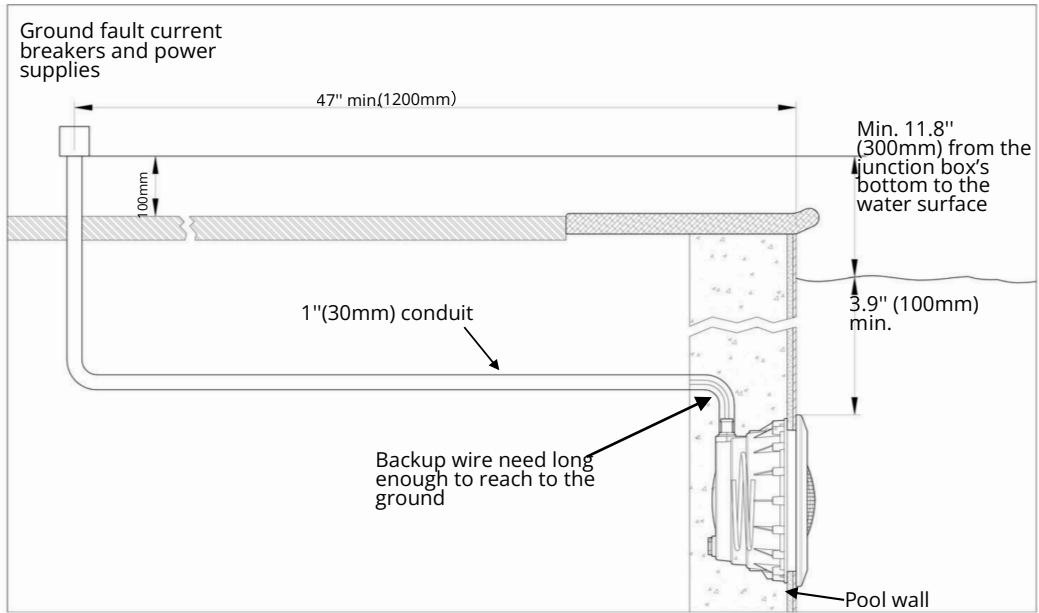


TECHNICAL SPECIFICATION



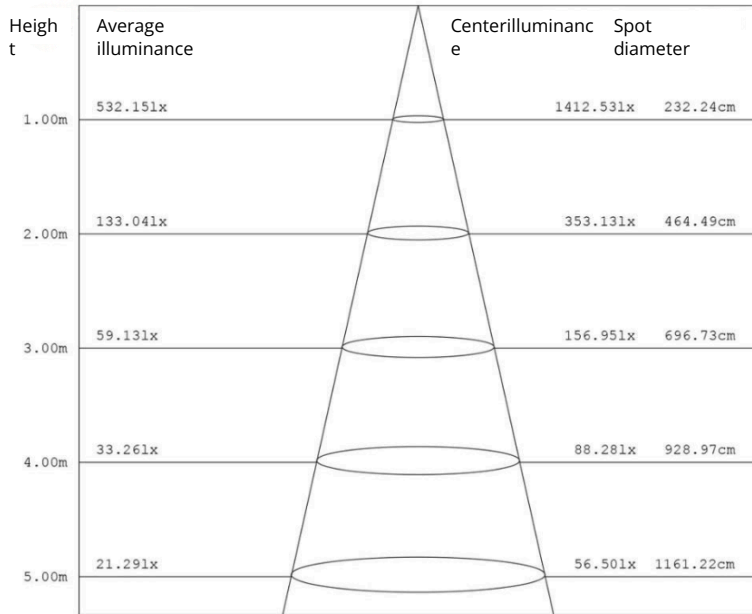
Under Water Light Installation Diagram

Note: For specific installation steps, please refer to below details of the Underwater Light Recessed Series Installation Instructions.

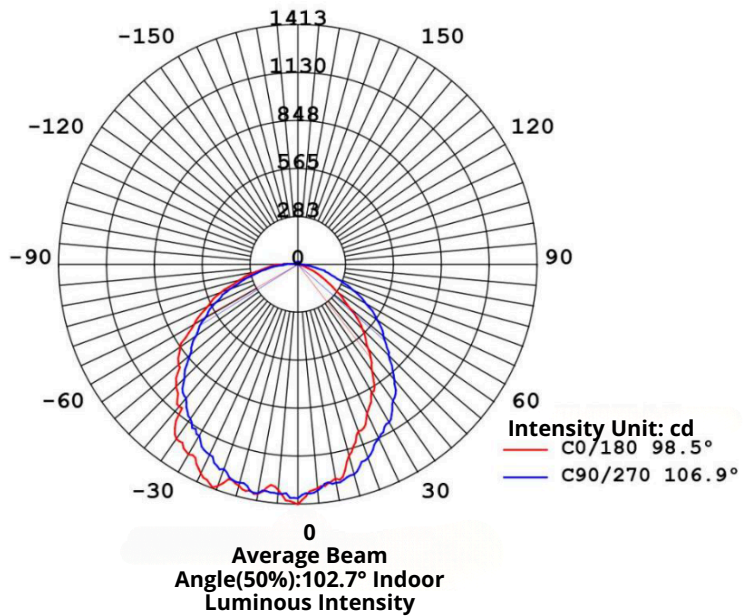


LED PRODUCT SPECIFICATION.

LED Brand	Beam Angle	Voltage	Power (W)	Color Temperature
Epistar	120°	AC 12V	50W	3000K



**Beam Angle 98.5°
Average and Center E
Figure**



UNDERWATER LIGHT LUMINOUS INTENSITY DISTRIBUTION

LED Brand	Power (W)	Voltage	LED Source	LED Quantity(pcs)	Color	Lumens (LM)±10%	Beam Angle
Epistar	50W	AC 12V/24V	2835	513	Warm White 3000K	4320	120°
Controller ※Note: Specific controller operation, wiring schematic, see the controller instruction manual for details				Conventional wire sizes ※Note: Customised wire lengths are available on request.	Waterpro of Rating	Working Environmen	Lifespan (hour)
WFC-DC01、RM-K1				2*1mm ² *2.5m	IP68	-20 °C-35°C	50,000 hours

*Note : Total lumens = Wattage(1W) X Luminous Efficacy (lm/W) .

White Warm : 80-130 lumens (Standard performance for indoor/outdoor lighting .