

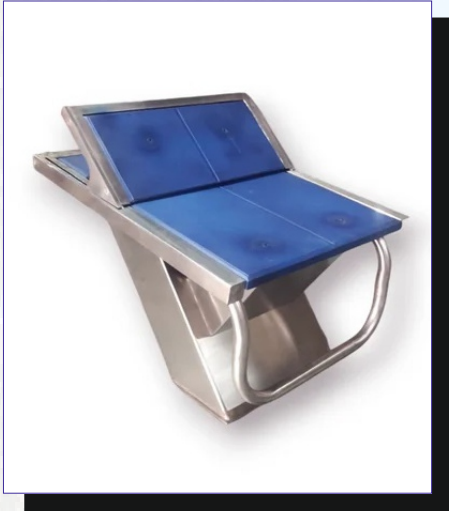


**COMPETITION EQUIPMENT
PRESENTATION**

**FROM DESIGN TO DELIVERY
UNDER ONE ROOF**



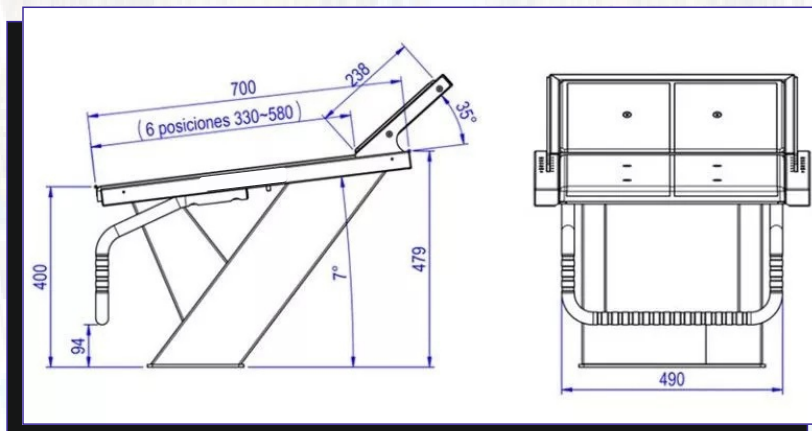
POOLUM STARTING BLOCKS



Poolum Starting Block is the new starting block designed by Poolum in order to facilitate the swimmer's take-off and optimize competitive performance.

The platform is designed to provide the athlete with a stable base for the "Track-Start" takeoff.

PLATFORM TOP



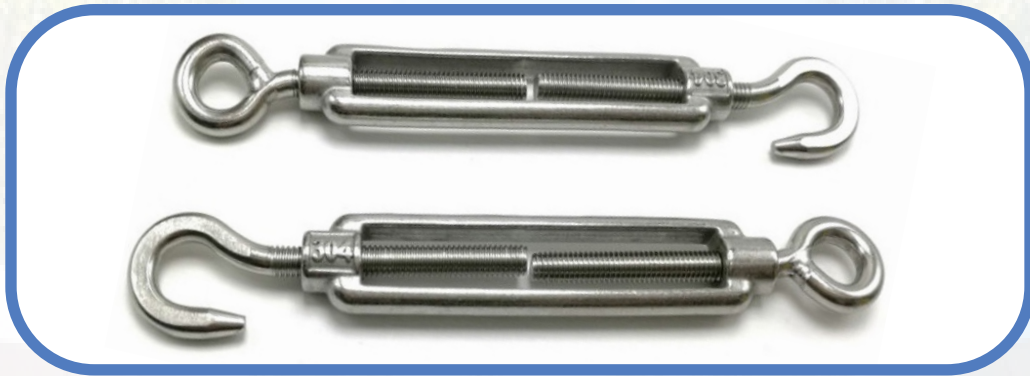
- 500 x 500mm non-slip surface Platform top in fibre glass
- MOC SS 304 / SS 316
- No exposed Bolts/Hardware
- Stainless Steel handles enhances fast take-offs & speed
- Available in two Colours. Light Blue & Dark Blue

PLATFORM TOP COLOUR OPTIONS



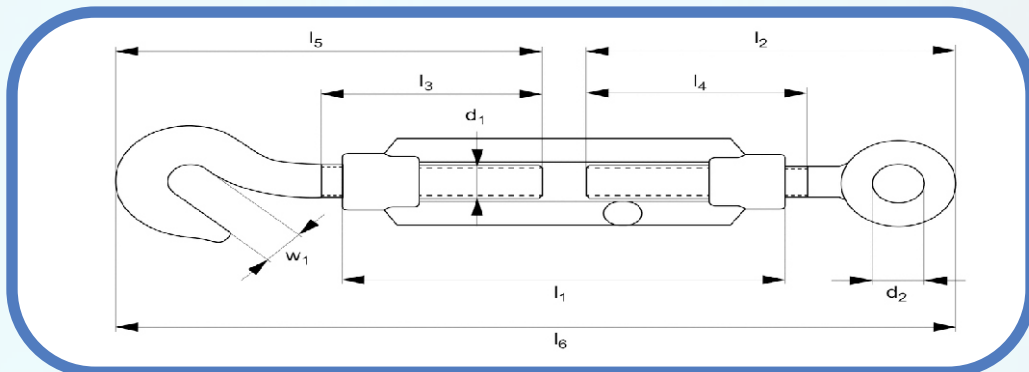


POOLUM LANE ROPE ANCHOR ADJUSTABLE HOOK



Specifications

- MOC – SS 304 / SS 316
- With the help of adjustable hook, we can tie and loose the line rope.



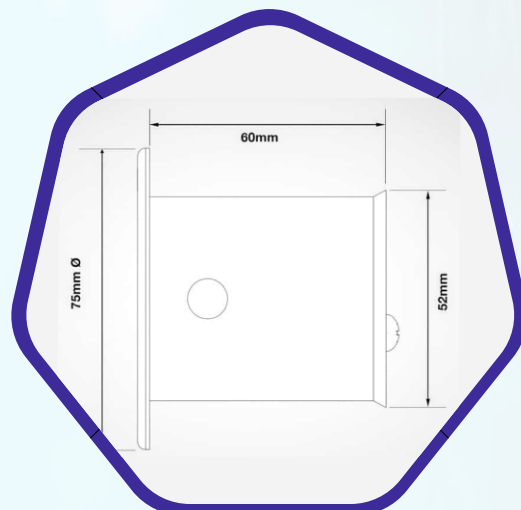
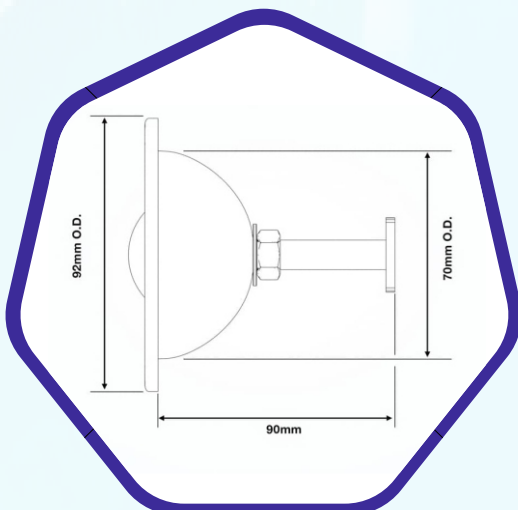


POOLUM LANE ROPE TUBULOR ANCHOR



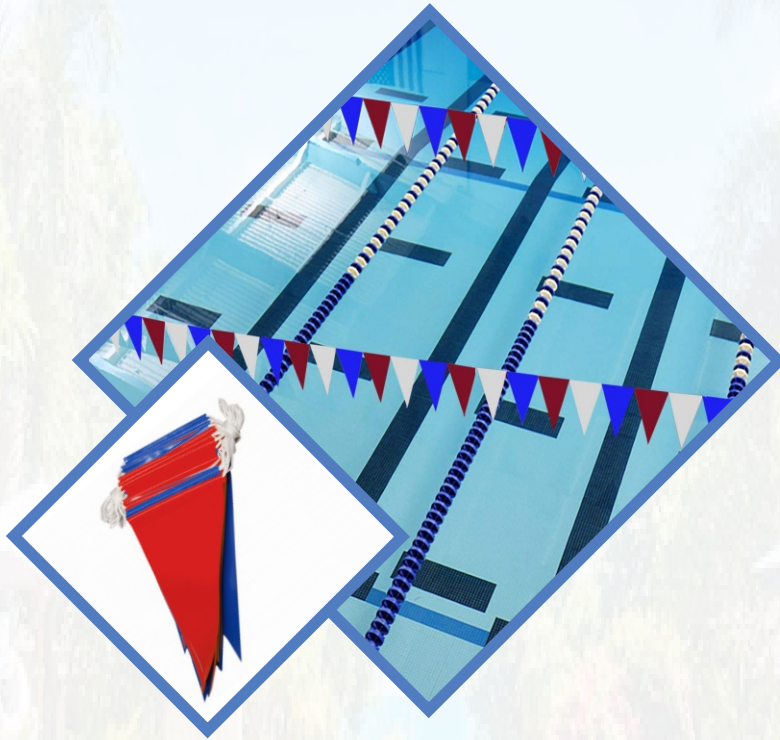
Specifications

- MOC – SS 304 / SS 316
- This type of lane anchor is set into the wall of the pool to tie the lane ropes .



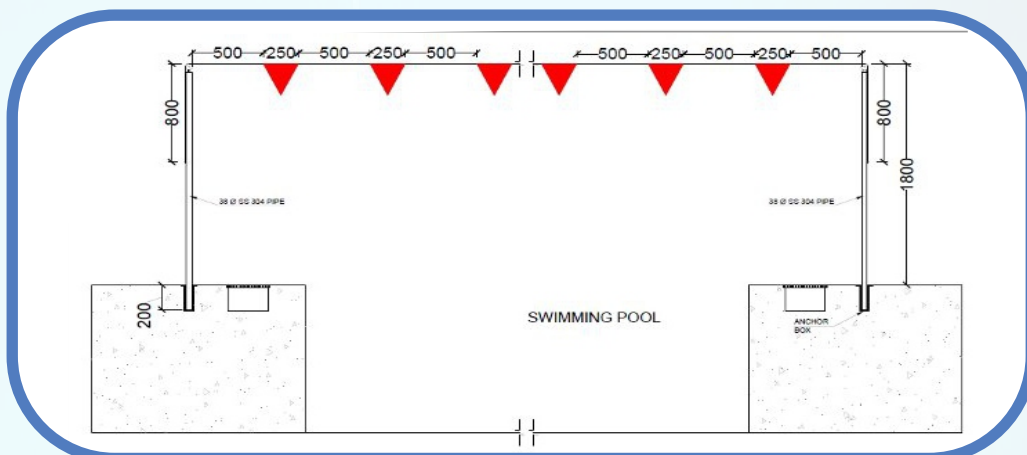


POOLUM BACK STROKE INDICATOR



Specifications

- Flagged ropes suspended across the pool
- MOC SS 304 / SS 316 (Pillar)
- Adjusted 1.8 metres above the water surface
- Flags fixed on the ropes are of 0.20m





POOLUM LANE



Specifications

- Racing lane made of HDPE material
- Anti wave lane rope with PVC coated wire with SS hooks .
One lane will have 250 floats & 150 floaters.
- Each lane rope will consist of floats placed end-to-end having a minimum diameter of 0.10 metre to a maximum of 0.15 metre.
- The floats extended for a distance of 5.0 metres from each end of the pool are of RED.
- In a swimming pool the colour of the lane ropes should be as follows

Lanes ↑ ↓	1	GREEN
	2	BLUE
	3	BLUE
	4	YELLOW
	5	YELLOW
	6	YELLOW
	7	BLUE
	8	BLUE
	9	GREEN

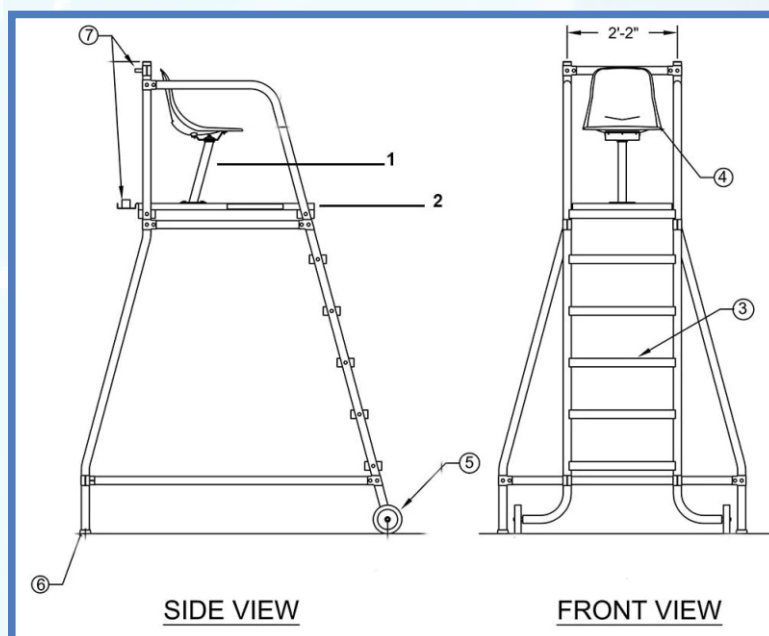


POOLUM LIFEGUARD CHAIR



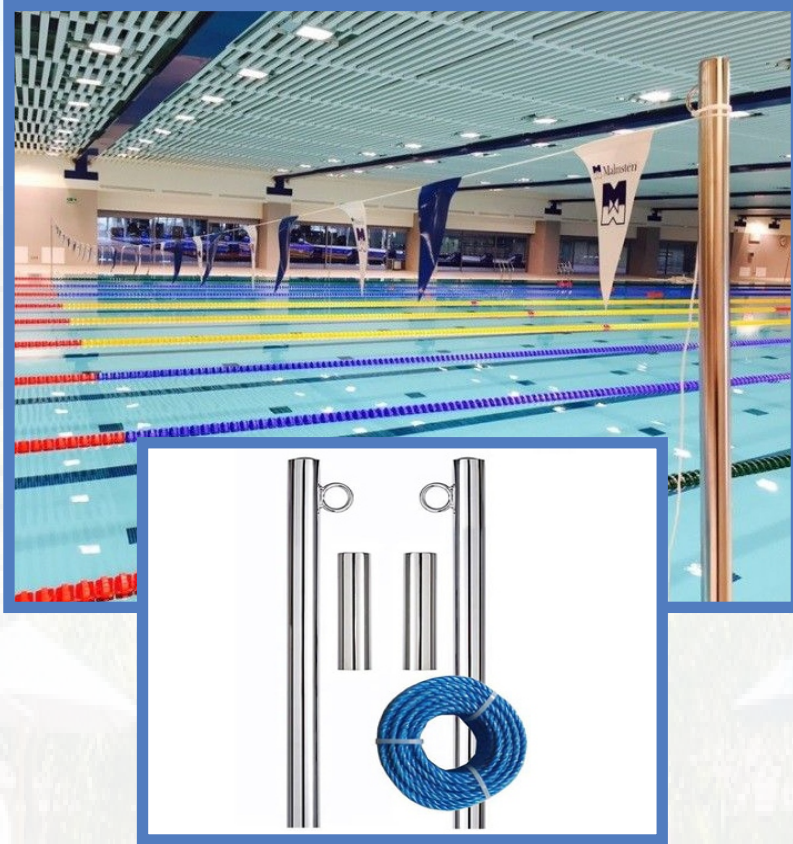
Specifications

- MOC- SS 304 / SS 316
- FRP Platform.
- Glass reinforced polypropylene seat with a height of 1875mm w.r.t total height of 2200mm.



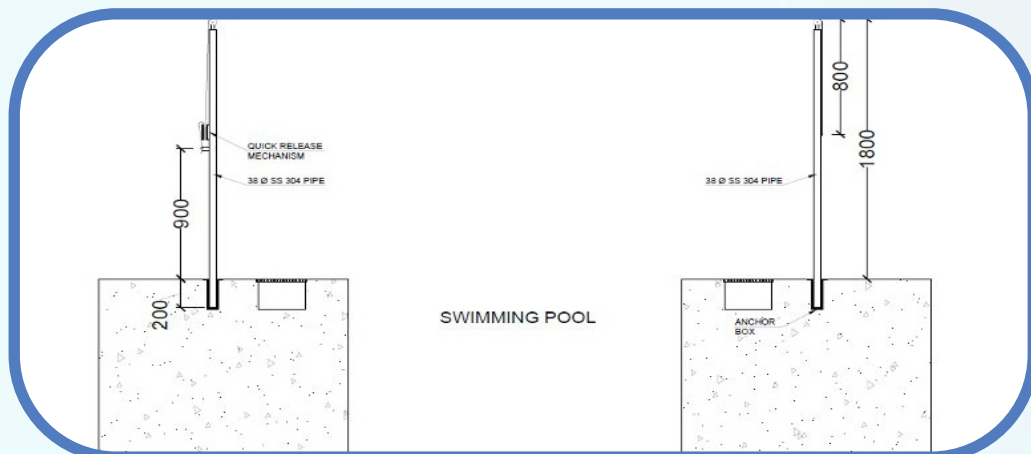


POOLUM FALSE START ROPE



Specifications

- The Rope is suspended across the pool not less than 1.2 metres above the water level from fixed standards placed 15.0 metres in front of the starting end.
 - The false start rope is attached to the standards by a quick release mechanism.
- The rope thus effectively cover all lanes when activated



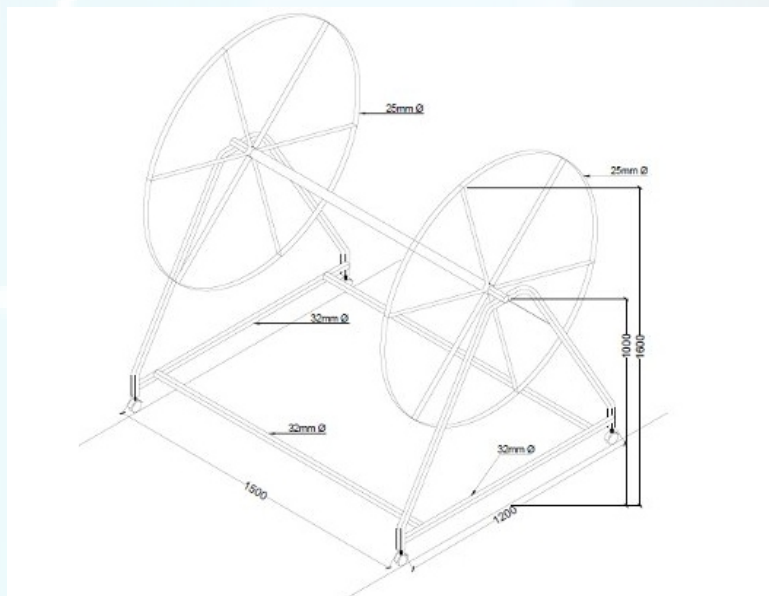


POOLUM LANE ROLLERS



- MOC-SS 304 / SS 316
- Can Roll Two lanes simultaneously

Specifications





CONTACT US

CORPORATE OFFICE

**Building NO. 108, Block - B,
Hanuman Chaya, CHS,
Tilak Nagar, Chembur, Mumbai,
Maharashtra. Pin - 400071**

Mobile: +91 9625901166/ 9625841166

Email: info@poolum.in

www.poolum.in